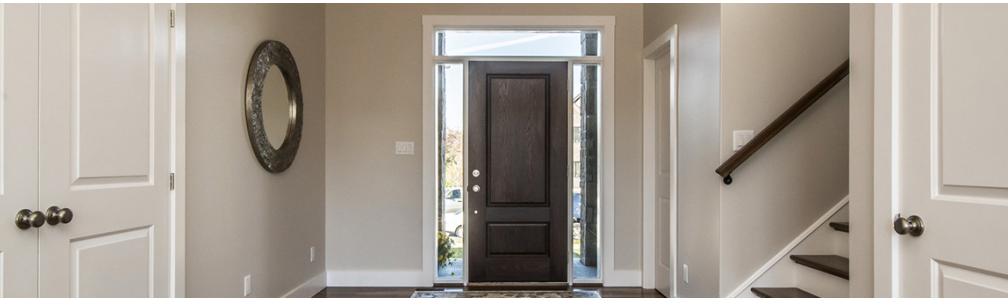


ENDURA SLOPED SILL PAN



IT'S NOT JUST ANOTHER SILL PAN

A small investment goes a long way in keeping your entrance system and window sealed and protected from the elements.

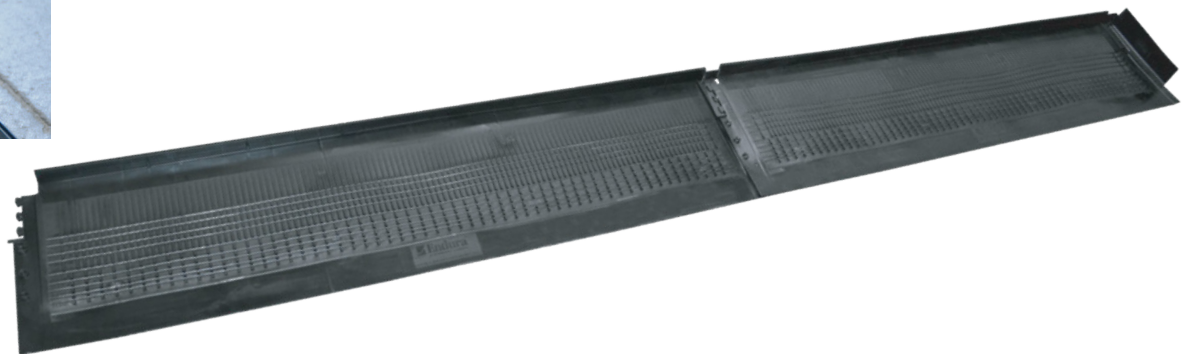
The Endura VersaPan Sloped Sill Pan creates a robust barrier against water infiltration and potential damage. Installed in the rough opening, the sill pan drains water down and away from the door or window unit, protecting against water intrusion and associated rot and mold, saving you time and money from costly repairs down the line.

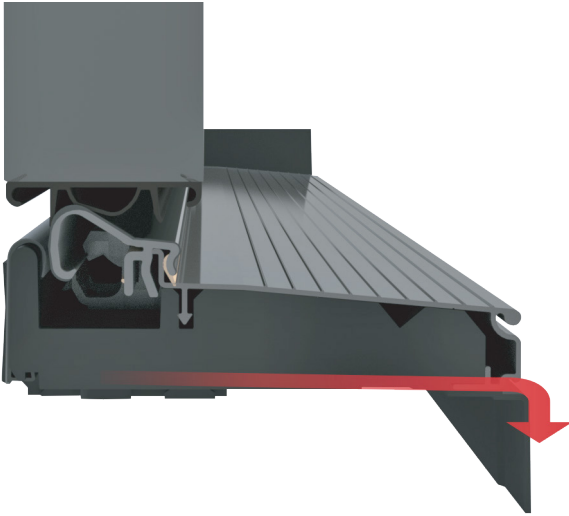
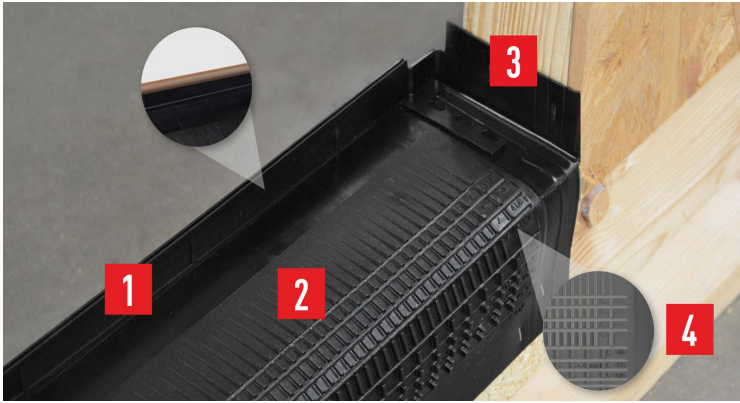
With 40" lengths and the ability to connect additional sill pans end-to-end, the VersaPan® can be used with any sized window or door.

Available in 8" widths with integrated measuring tool to fit a variety of rough opening sizes, and two optional End Caps. These preformed and presized caps make field assembly even simpler.

Features & Benefits

- Fully compliant with Building Codes
- Easy and simple installation
- Infinite length adjustability and on-the-spot flexibility with a universal design
- Continuous horizontal support for door and window sills
- Slope to exterior for proper drainage
- Ribbed profile for better adhesion of beading sealant
- Optional VersaPan End Caps are presized





Coverage as easy as 1-2-3.

Installation Instruction:

1. Cut and mold VersaPan using the built-in measurement markers to properly fit within rough opening.
2. Place the sill pan in the rough opening and secure it into place utilizing screws or staples.
3. Fully seal corners with provided flashing tape and rest assured – **you're covered.**

1. Back Wall

VersaPan's back wall offers superior protection from moisture infiltration and even stops wind-driven moisture from compromising your door or window systems.

2. Sloped Design

Ergonomic design moves water out and away from the opening, preventing costly damage and repairs.

3. Side Walls

Stops water from leaking under the sill pan from the sides.

4. Built-in Rough Opening Size Indicators

Functional and efficient, the VersaPan cuts down on the number of steps and tools required for installation with its efficient, flexible design. Simply use the integrated measuring tool to find the perfect fit for the rough opening.

Description	Supplier	Part Number
Width Adjustable VersaPan	Endura	20418
4 $-\frac{5}{8}$ " End Caps	Endura	20416
6 $-\frac{5}{8}$ " End Caps	Endura	20417

Installation Video:

